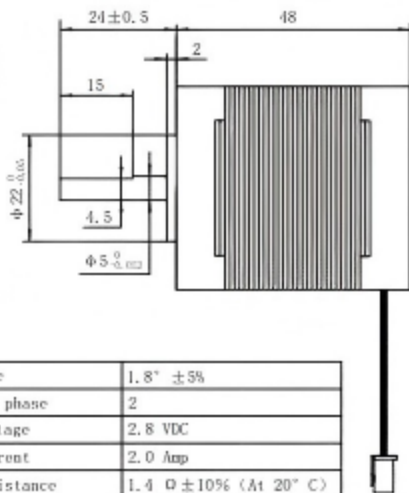
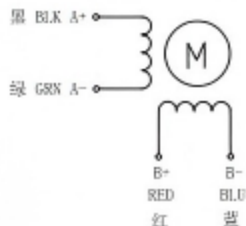
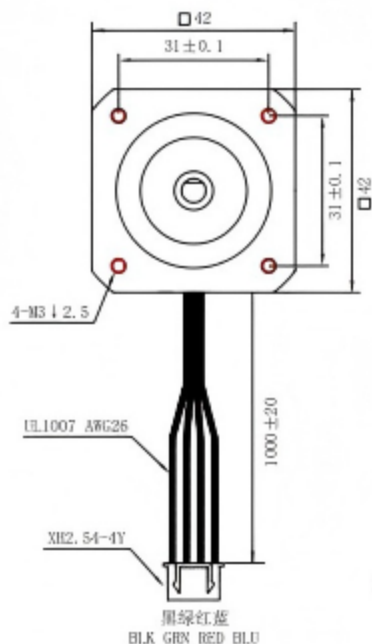


尺寸图 Dimensional drawing



绕线图 Wiring Diagram



1. 步距角 Step angle	1.8° ±5%
2. 相数 Number of phase	2
3. 相电压 Phase voltage	2.8 VDC
4. 相电流 Phase current	2.0 Amp
5. 相电阻 Phase resistance	1.4 Ω ±10% (At 20° C)
6. 相电感 Phase inductance	3.0 mH ±20%
7. 静力矩 Static moment	0.59 N.m
8. 绝缘等级 Insulation class	Class B
9. 绝缘电阻 Insulation resistance	100MΩ min. (500V DC)
10. 环境温度 Ambient temperature	-20° → 50°
11. 环境湿度 Ambient hum	15% to 95%
12. 电机重量 Motor weight	Approx 0.4 Kg
13. 使用电压 Use voltage	VDC: 12-36V
14. 推荐驱动器 Recommended drive	OK2M020A

Excitation sequence and direction of clockwise

STEP	A+	B+	A-	B-
1	+	+	-	-
2	-	+	+	-
3	-	-	+	+
4	+	-	-	+

seen from the mounting surface it is clockwise

工艺 Technology		单位 Unit	mm
设计 Design			
审核 Check			
批准 Approved	Eric Z	比例 Scale	1: 1

Drawing

OK42STH47-204A1XH