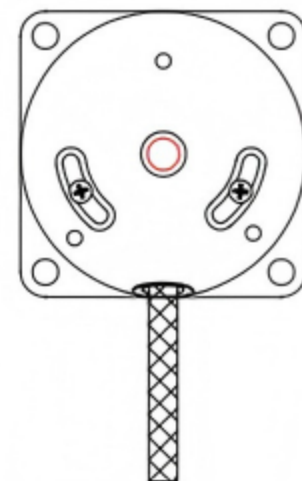
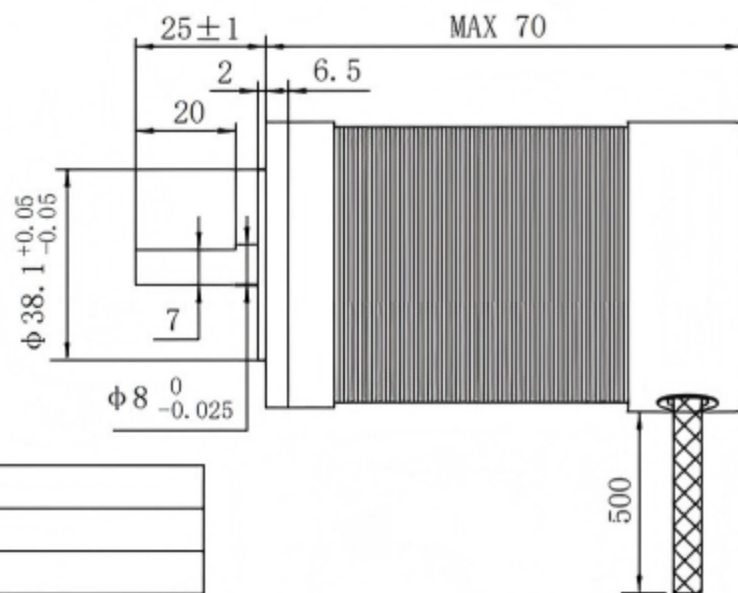
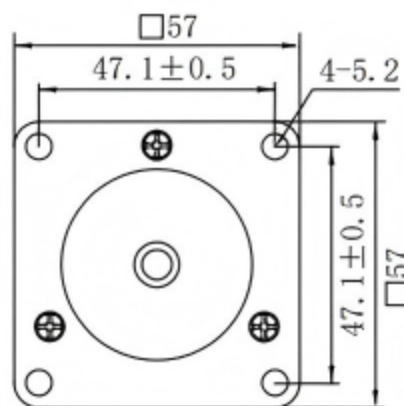


尺寸图 Dimensional drawing



1.相数 Number of phase	3
2.级数 Number of poles	4
3.额定电压 Rated voltage	24 VDC
4.额定转速 Ated Speed	4500±10% RPM
5.空转转速 No Load Speed	3500±10% RPM
6.额定电流 Rated Current (Max.)	9.0A
7.额定功率 Rated power	134W
8.额定力矩 Rated Torque	0.37 N.m
9.绝缘电阻 Insulation resistance	100MΩ min. (500V DC)
10.环境温度 Ambient temperature	-20° +50°
11.环境湿度 Ambient hum	15% to 95%
12.电机重量 Motor weight	Approx 0.7 Kg
13.绝缘等级 Insulation class	B

U	V	W	+5V	A	B	C	GND
橙	绿	棕	红	黄	白	蓝	黑
ORG	GRN	BRW	RED	YEL	WHT	BLU	BLK
UL1007 18AWG			UL1007 26AWG				

设计 Design		单位 Unit	mm
工艺 Technology			
审核 Chck			
批准 Approved	Betty Y	比列 Scale	

DRAWING

57BLS70-235A-1R

Shenzhen Sunshine Sea Technology Co.,Ltd