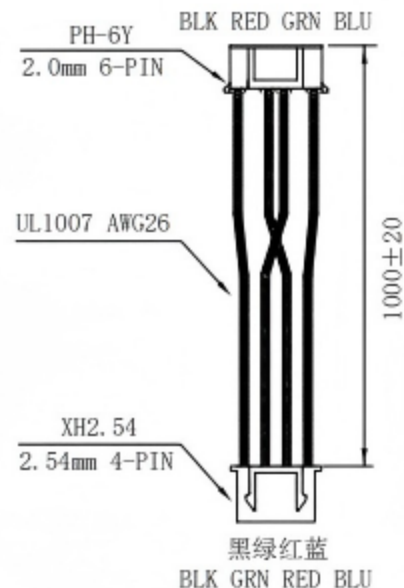
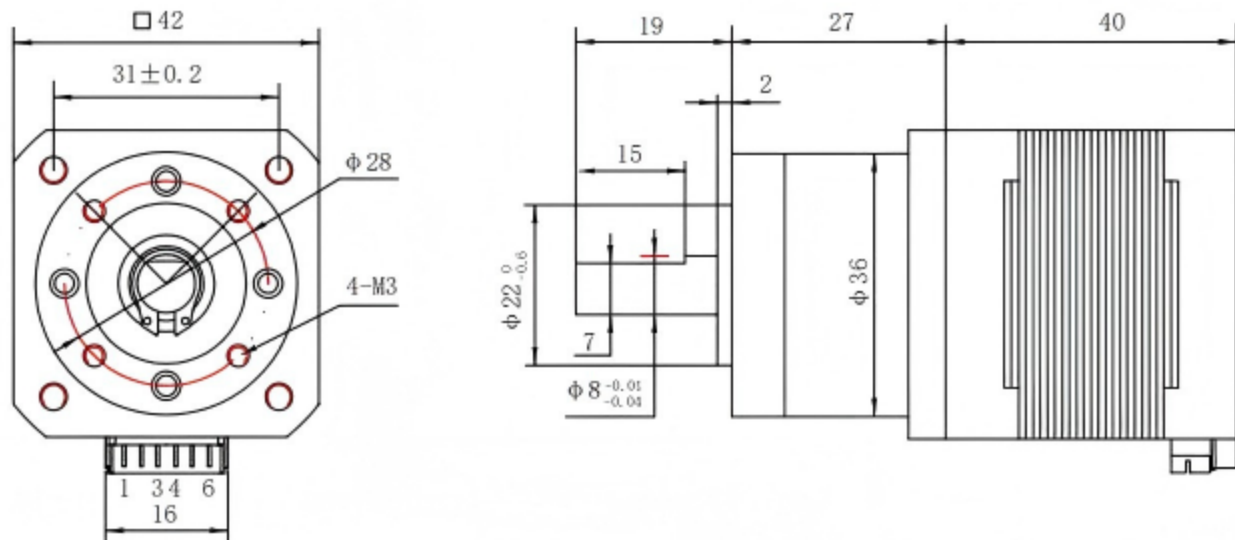


尺寸图 Dimensional drawing

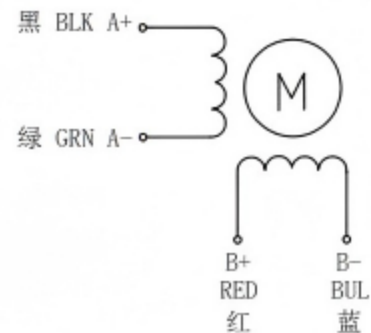


1.步距角 Step angle	1.8° ±5%
2.相数 Number of phase	2
3.相电压 Phase voltage	2.8 VDC
4.相电流 Phase current	1.68 Amp
5.相电阻 Phase resistance	1.95 Ω ±10% (At 20° C)
6.相电感 Phase inductance	4.4 mH ±20%
7.静力矩 Static moment	0.45 N.m
8.绝缘等级 Insulation class	Class B
9.绝缘电阻 Insulation resistance	100MΩ min. (500V DC)
10.环境温度 Ambient temperature	-20° -+50°
11.环境湿度 Ambient hum	15% to 95%
12.电机重量 Motor weight	Approx 0.4 Kg
13.使用电压 Use voltage	VDC:12-24V
14.推荐驱动器 Recommended drive	OK2D4020A

Excitation sequence and direction of clockwise

STEP	A+	B+	A-	B-
1	+	+	-	-
2	-	+	+	-
3	-	-	+	+
4	+	-	-	+

seen from the mounting surface It is clockwise



Reduction Ratio	3.7	5.18	14	19	27	51	71	100	139	188	263	368	514	720
Reducer stages	1	1	2	2	2	3	3	3	3	4	4	4	4	4
Gear Box Length(L) mm	27	27	33.2	33.2	33.2	39.4	39.4	39.4	45.6	45.6	45.6	45.6	45.6	45.6

工艺 Technology		单位 Unit	mm	DRAWING	42HC40-1684A-PW5
设计 Design					
审核 Check				Shenzhen Sunshine Sea Technology Co.,Ltd	
批准 Approved	Betty Y	比例 Scale	1: 1		