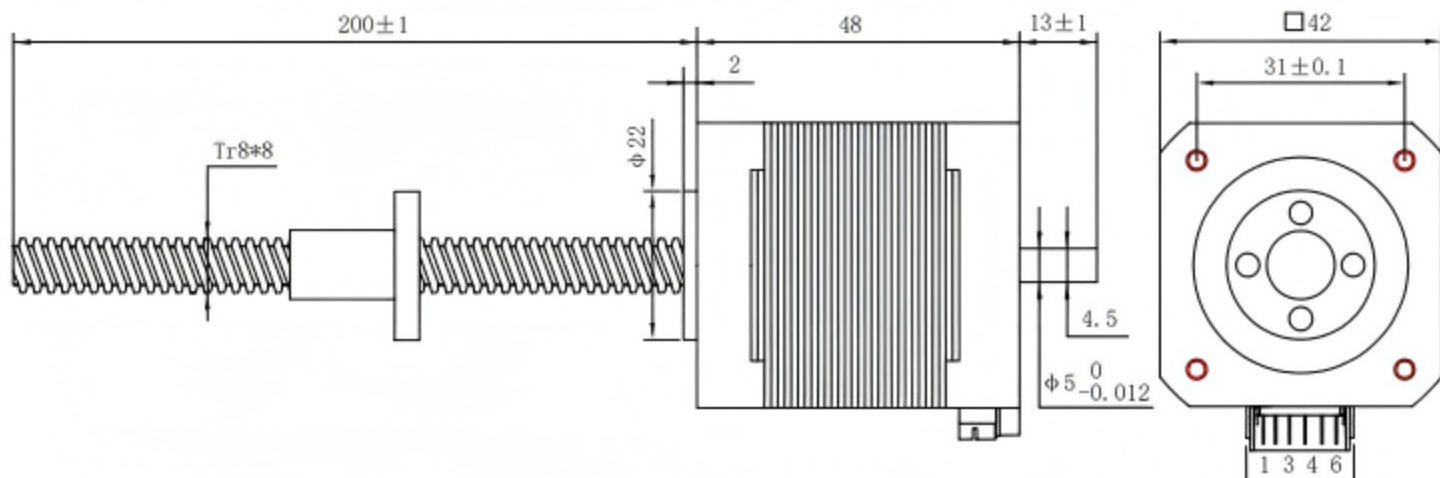
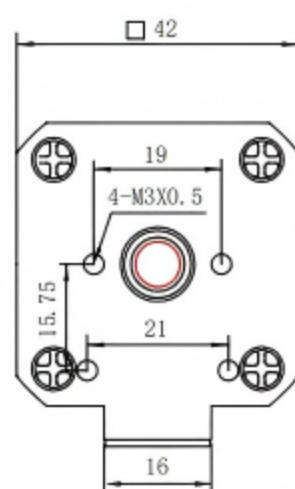


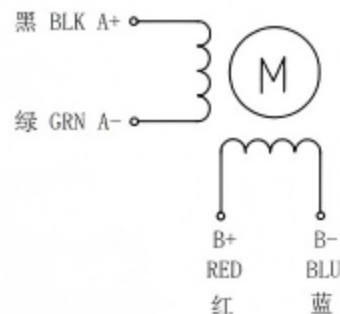
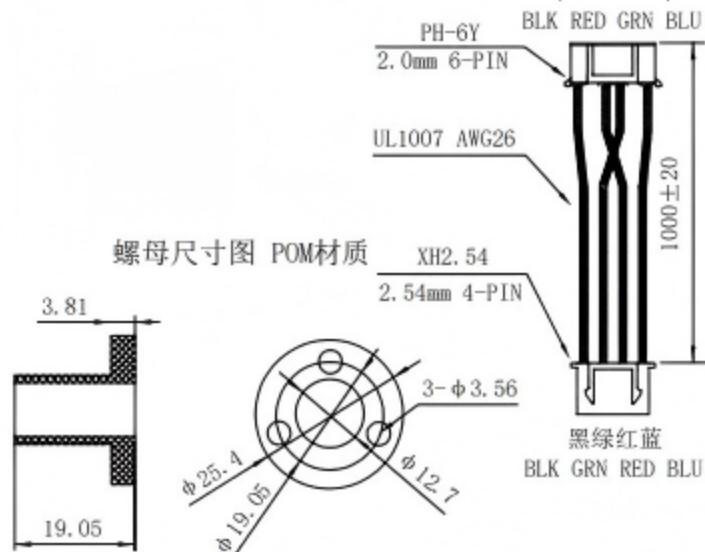
尺寸图 Dimensional drawing



绕线图 Wiring Diagram



1.步距角 Step angle	1.8°
2.相数 Number of phase	2
3.相电压 Phase voltage	3.0 VDC
4.相电流 Phase current	1.68 Amp
5.相电阻 Phase resistance	1.8 Ω ±10% (At 20° C)
6.相电感 Phase inductance	4.5 mH ±20%
7.静力矩 Static moment	0.55 N.m
8.绝缘等级 Insulation class	Class B
9.绝缘电阻 Insulation resistance	100MΩ min. (500V DC)
10.环境温度 Ambient temperature	-20° ~+50°
11.环境湿度 Ambient hum	15% to 95%
12.电机重量 Motor weight	Approx 0.4 Kg
13.使用电压 Use voltage	VDC:12-36V
14.推荐驱动器 Recommended drive	OK2D4020A



工艺 Technology		单位 Unit	mm	DRAWING	42HC48-1684E-200G-AR3
设计 Design					
审核 Check				Shenzhen Sunshine Sea Technology Co.,Ltd	
批准 Approved	Betty Y	比例 Scale	1: 1		