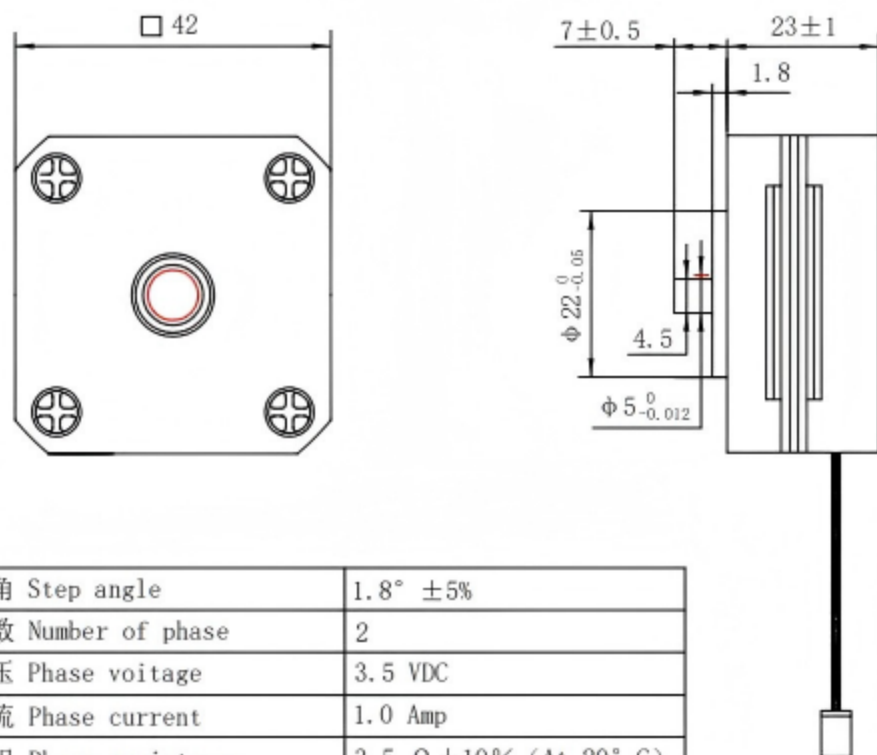
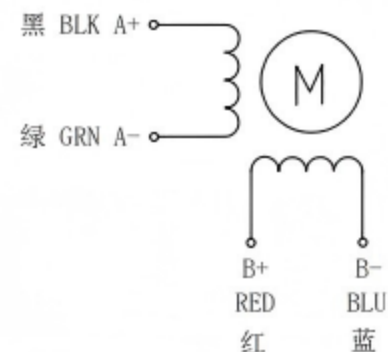


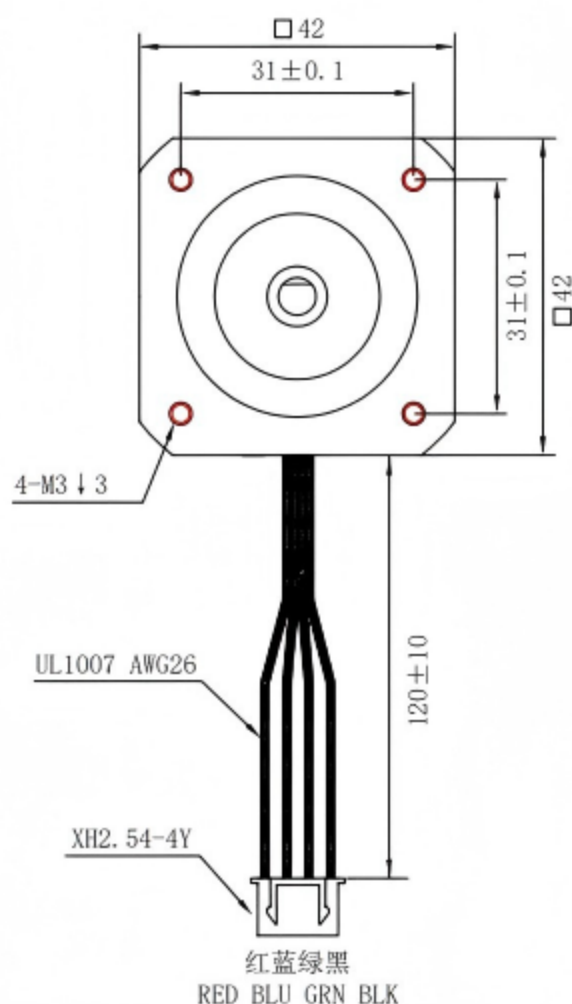
尺寸图 Dimensional drawing



绕线图 Wiring Diagram



| | |
|------------------------------|-----------------------|
| 1.步距角 Step angle | 1.8° ±5% |
| 2.相数 Number of phase | 2 |
| 3.相电压 Phase voltage | 3.5 VDC |
| 4.相电流 Phase current | 1.0 Amp |
| 5.相电阻 Phase resistance | 3.5 Ω ±10% (At 20° C) |
| 6.相电感 Phase inductance | 4.2 mH ±20% |
| 7.静力矩 Static moment | 0.14 N.m |
| 8.绝缘等级 Insulation class | Class B |
| 9.绝缘电阻 Insulation resistance | 100MΩ min. (500V DC) |
| 10.环境温度 Ambient temperature | -20° ~+50° |
| 11.环境湿度 Ambient hum | 15% to 95% |
| 12.电机重量 Motor weight | Approx 0.14 Kg |
| 13.使用电压 Use voltage | VDC:12-24V |
| 14.推荐驱动器 Recommended drive | OK2D4020A |



Excitation sequence and direction of clockwise

| STEP | A+ | B+ | A- | B- |
|------|----|----|----|----|
| 1 | + | + | - | - |
| 2 | - | + | + | - |
| 3 | - | - | + | + |
| 4 | + | - | - | + |

seen from the mounting surface it is clockwise

工艺 Technology

单位 Unit

mm

DRAWING

42HS23-104A-7D1X

设计 Design

审核 Check

批准 Approved

Betty Y

比例 Scale

1: 1

Shenzhen Sunshine Sea Technology Co., Ltd