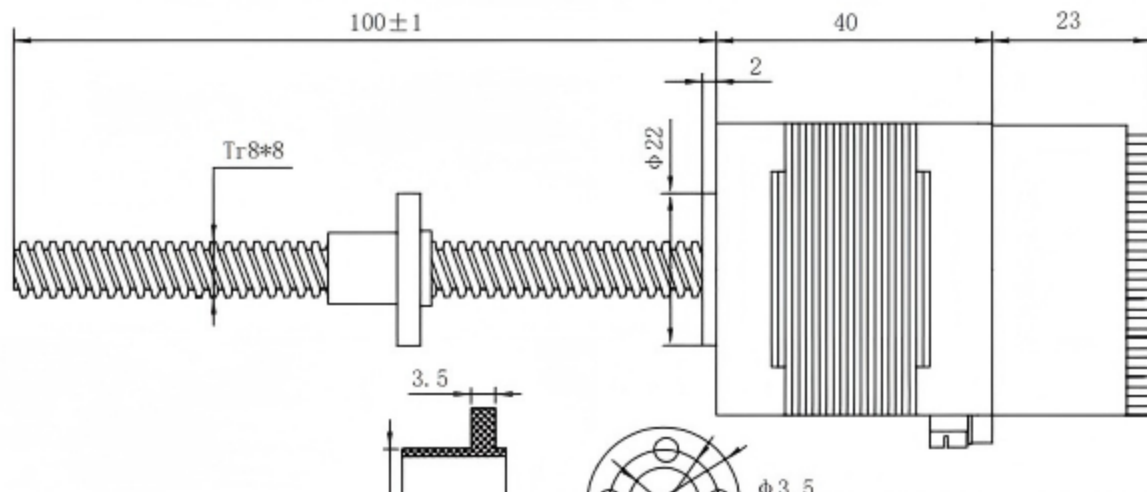
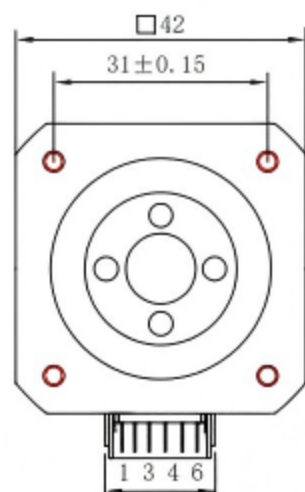


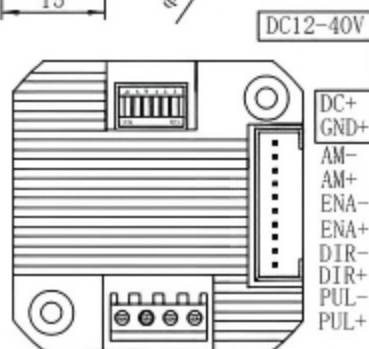
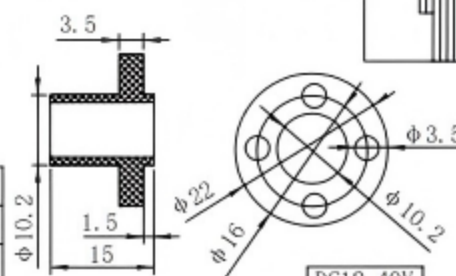
尺寸图 Dimensional drawing



绕线图 Wiring Diagram

SW2	Peak (A)	RMS (A)
SW1	1.4	1.0
off	2.1	1.5
on	OFF	ON
SW2	OFF	ON
off	脉冲+方向 PUL+DIR	
on	自发脉冲 Spontaneous pulse	
I/O 控制方式	自发脉冲 Spontaneous pulse	
	DC+ PUL+ DIR+ 接电源正极	
	GND- PUL- DIR- 接电源负极	
	DC+ 电源导通控制启动停止	
	DIR- 导通控制电机正反转	

1.步距角 Step angle	1.8° ±5%
2.相 数 Number of phase	2
3.相电压 Phase voltage	2.2 VDC
4.相电流 Phase current	2.0 Amp
5.相电阻 Phase resistance	1.1 Ω ±10% (At 20° C)
6.相电感 Phase inductance	2.6 mH ±20%
7.静力矩 Static moment	0.42 N.m
8.绝缘等级 Insulation class	Class B
9.绝缘电阻 Insulation resistance	100MΩ min. (500V DC)
10.环境温度 Ambient temperature	-20° ~+50°
11.环境湿度 Ambient hum	15% to 95%
12.电机重量 Motor weight	Approx 0.3 Kg
13.使用电压 Use voltage	VDC:12-36V
14.推荐驱动器 Recommended drive	OK2D4020A



B- B+ A- A+
蓝红绿黑
BLU RED GRN BLK

Pulse/rev	Subdivision Settings			
	SW3	SW4	SW5	SW6
200	on	on	on	on
400	off	on	on	on
800	on	off	on	on
1600	off	off	on	on
3200	on	on	off	on
6400	off	on	off	on
12800	on	off	off	on
25600	off	off	off	on
1000	on	on	on	off
2000	off	on	on	off
4000	on	off	on	off
5000	off	off	on	off
10000	on	on	off	off
20000	off	on	off	off
3600	on	off	off	off
7200	off	off	off	off

RPM	Spontaneous pulse setting			
	SW3	SW4	SW5	SW6
200	on	on	on	on
400	off	on	on	on
800	on	off	on	on
1600	off	off	on	on
3200	on	on	off	on
6400	off	on	off	on
12800	on	off	off	on
25600	off	off	off	on
1000	on	on	on	off
2000	off	on	on	off
4000	on	off	on	off
5000	off	off	on	off
10000	on	on	off	off
20000	off	on	off	off
3600	on	off	off	off
7200	off	off	off	off

工艺 Technology

单位 Unit

mm

DRAWING

42HC40-100N8YT-I0

设计 Design

审核 Chck

批准 Approved

Betty Y

比列 Scale

1: 1

Shenzhen Sunshine Sea Technology Co.,Ltd