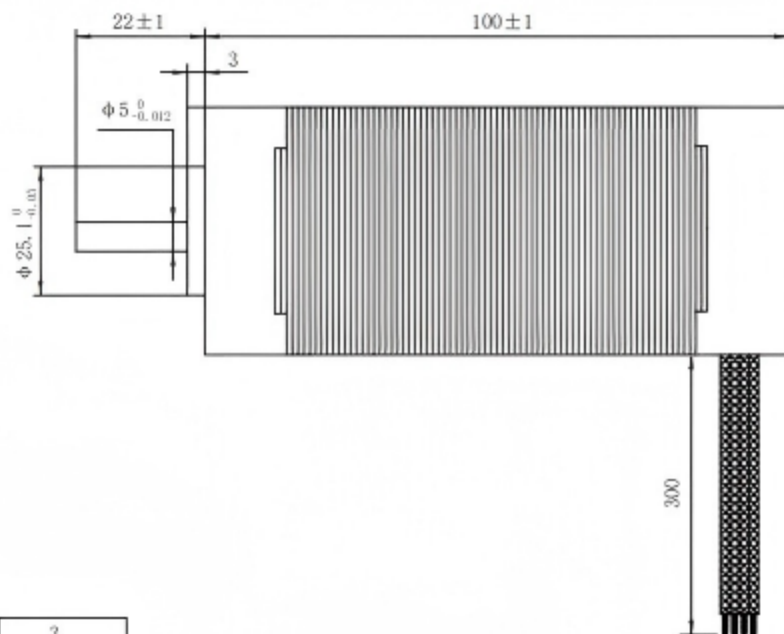
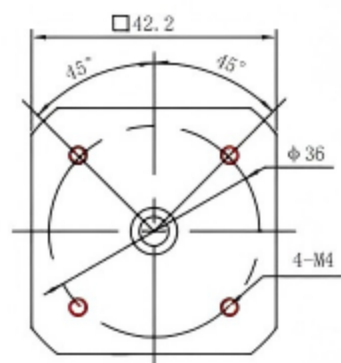
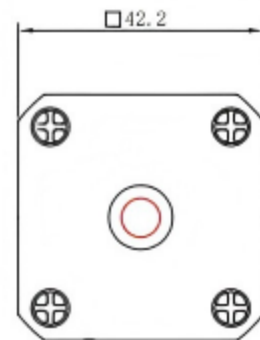


尺寸图 Dimensional drawing

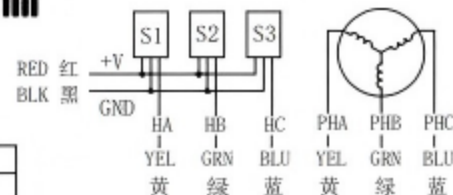


绕线图 Wiring Diagram



相数 No. of phase		3
极数 Number of poles	P	8
额定电压 Rated Voltage	V	24
空转转速 No Load Speed	RPM	5800 ± 10%
额定转速 ated Speed	RPM	4000 ± 10%
空转电流 No load current (Max.)	A	20
额定力矩 Rated Torque	NM	0.25
额定功率 Rated power	W	105
额定电流 Rated Current (Max.)	A	6.6

U	V	W	+5V	A	B	C	GND
黄	绿	蓝	红	黄	绿	蓝	黑
YEL	GRN	BUL	RED	YEL	GRN	BUL	BLK
UL1007 26 AWG			UL1007 20 AWG				



工艺 Technology

单位 Unit

mm

DRAWING

42BLS100-240

设计 Design

审核 Chck

批准 Approved

Betty Y

比列 Scale

1: 1

Shenzhen Sunshine Sea Technology Co., Ltd