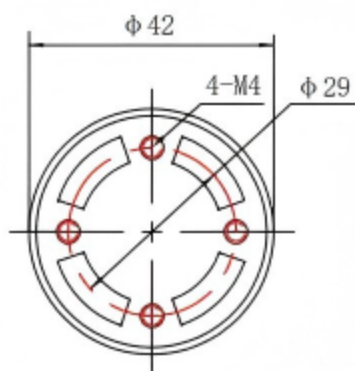
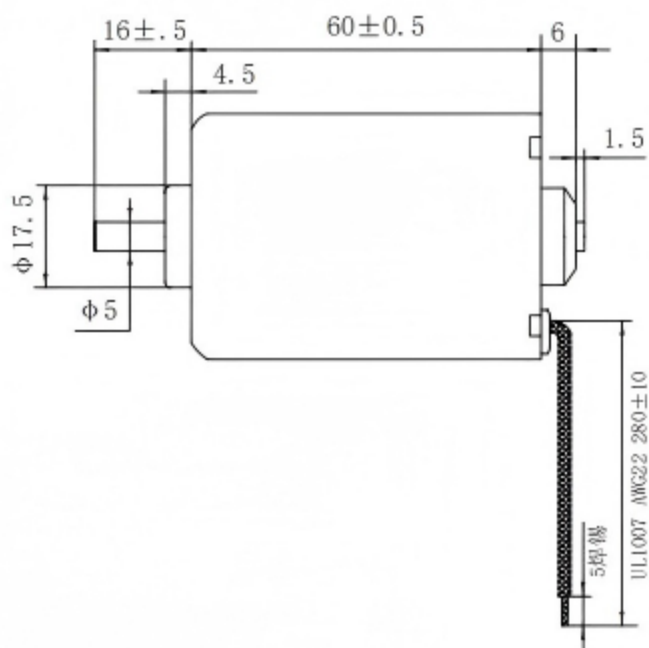


Dimensional drawing



Wiring Diagram



1.相数 Number of phase	3
2.级数 Number of poles	P4
3.额定电压 Rated voltage	12 VDC
4.额定转速 Rated Speed	3200 ± 10% RPM
5.空转转速 No Load Speed	4000 ± 10% RPM
6.额定电流 Rated Current (Max.)	< 0.6 A
7.额定功率 Rated power	10 W
8.额定力矩 Rated Torque	0.0298 N.m
9.绝缘电阻 Insulation resistance	100MΩ min. (500V DC)
10.环境温度 Ambient temperature	-20° ~ +50°
11.环境湿度 Ambient hum	15% to 95%
12.电机重量 Motor weight	Approx 0.25 Kg
13.推荐驱动器 Recommended drive	OKD3BL14

+V	GND	PG	CCW	PWM
红	黑	黄	白	蓝
YEL	GRN	YEL	WHT	BUL
DC8-26V		信号线	正反转	脉宽调速

工艺 Technology		单位 Unit	mm	DRAWING	42WS60-130AYT
设计 Design					
审核 Check				Shenzhen Sunshine Sea Technology Co.,Ltd	
批准 Approved	Betty Y	比例 Scale	1: 1		