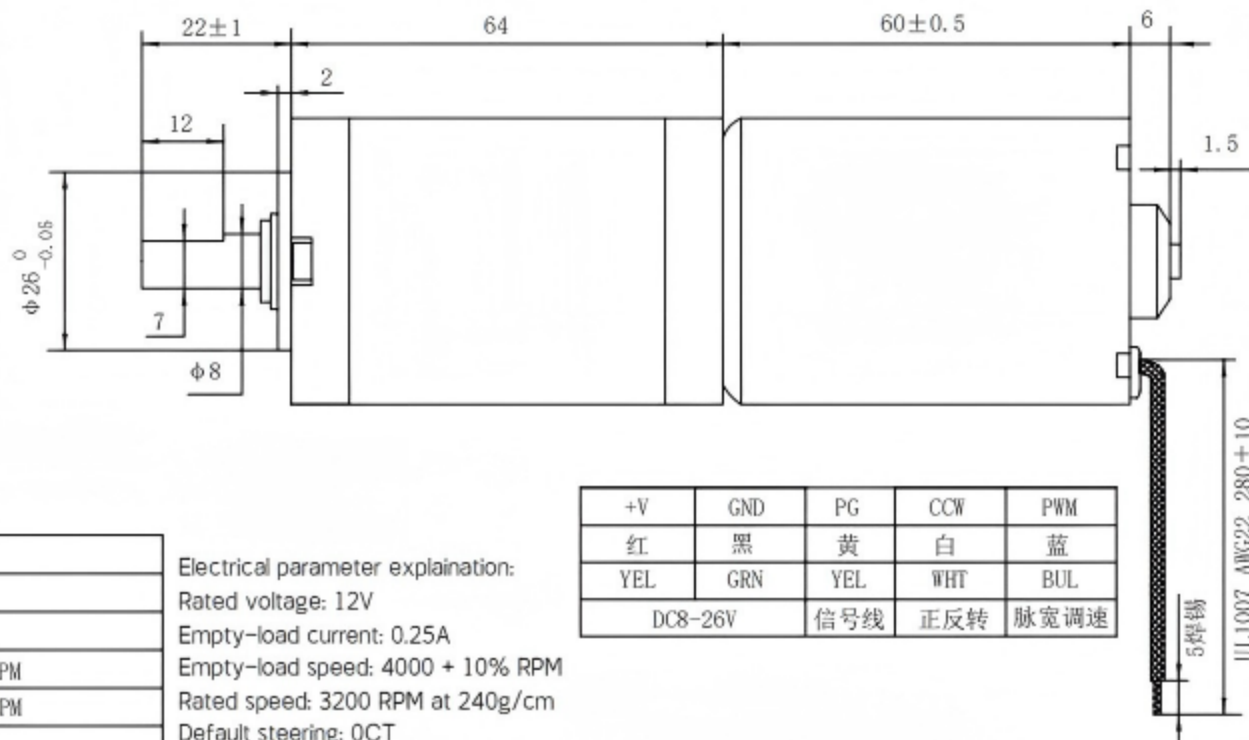
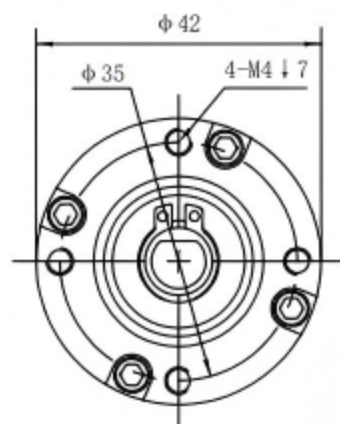


尺寸图 Dimensional drawing

绕线图 Wiring Diagram



1.相数 Number of phase	3
2.级数 Number of poles	P4
3.额定电压 Rated voltage	12 VDC
4.额定转速 Rated Speed	3200±10% RPM
5.空转转速 No Load Speed	4000±10% RPM
6.额定电流 Rated Current (Max.)	<0.6 A
7.额定功率 Rated power	10 W
8.额定力矩 Rated Torque	0.0298 N.m
9.绝缘电阻 Insulation resistance	100MΩ min. (500V DC)
10.环境温度 Ambient temperature	-20° ~+50°
11.环境湿度 Ambient hum	15% to 95%
12.电机重量 Motor weight	Approx 0.75 Kg
13.推荐驱动器 Recommended drive	OKD3BL14

Electrical parameter explanation:

Rated voltage: 12V

Empty-load current: 0.25A

Empty-load speed: 4000 + 10% RPM

Rated speed: 3200 RPM at 240g/cm

Default steering: OCT

+V	GND	PG	CCW	PWM
红	黑	黄	白	蓝
YEL	GRN	YEL	WHT	BUL
DC8-26V		信号线	正反转	脉宽调速

电机转速 Motor speed	3200												
减速比 Exact reduction ratio	3.7	5	13	18	25	67	92	125	181	246	336	458	625
输出转速 Output speed	864	640	246	177	128	47.7	34.7	25.6	17.6	13	9.5	6.98	5.12
The motor speed divided by the speed ratio equals the output speed													
电机转速除以速比等于输出转速													

工艺 Technology

单位 Unit

mm

DRAWING

42WS60-132AYT-AG181

设计 Design

审核 Check

批准 Approved

Betty Y

比列 Scale

1: 1

ShenzhenSunshineSca Technology Co.Ltd