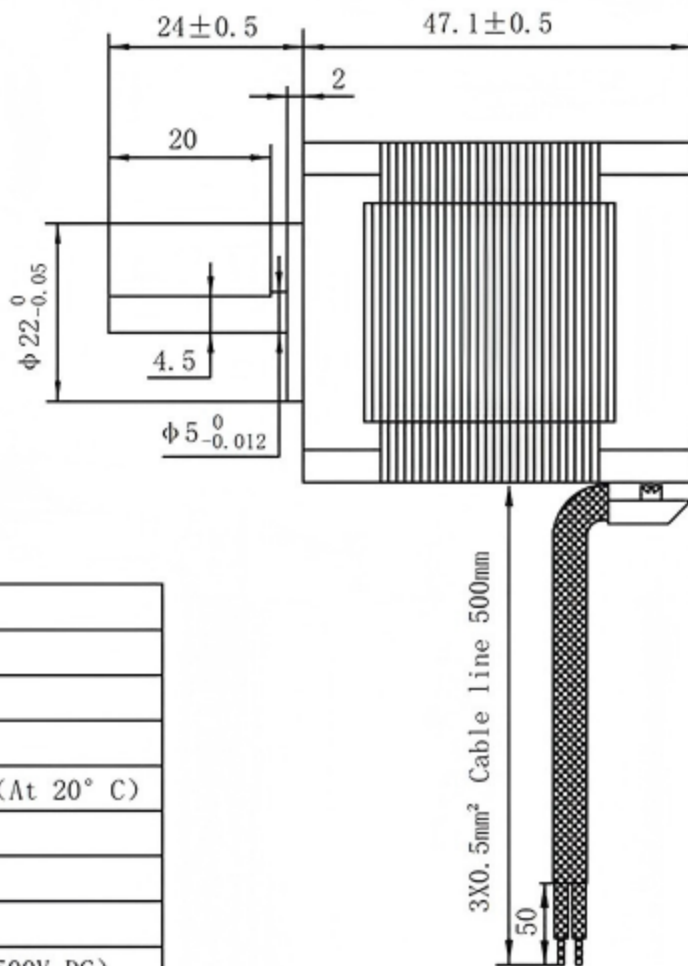
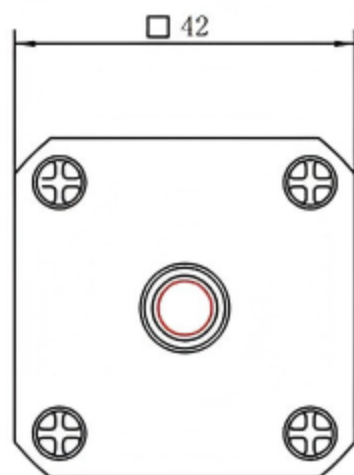
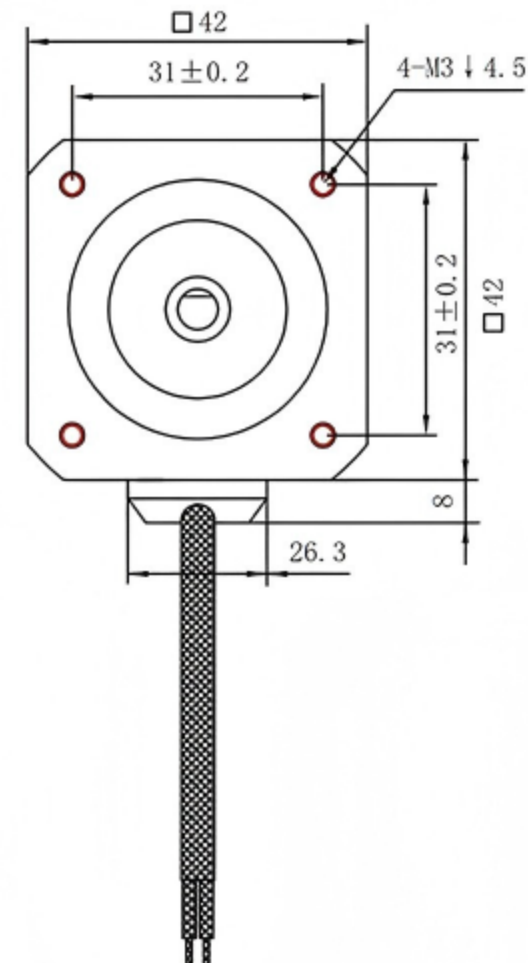


尺寸图 Dimensional drawing



绕线图 Wiring Diagram



1.步距角 Step angle	1.2° ±5%
2.相数 Number of phase	3
3.相电压 Phase voltage	5.4 VDC
4.相电流 Phase current	1.5 Amp
5.相电阻 Phase resistance	3.6 Ω ±10% (At 20° C)
6.相电感 Phase inductance	7.0 mH ±20%
7.静力矩 Static moment	0.32 N.m
8.绝缘等级 Insulation class	Class B
9.绝缘电阻 Insulation resistance	100MΩ min. (500V DC)
10.环境温度 Ambient temperature	-20° ~ +50°
11.环境湿度 Ambient hum	15% to 95%
12.电机重量 Motor weight	Approx 0.35 Kg
13.使用电压 Use voltage	VDC:12-36V
14.推荐驱动器 Recommended drive	OK3D580A



工艺 Technology

单位 Unit

mm

Drawing

423P47-154A

设计 Design

审核 Check

批准 Approved

Betty Y

比列 Scale

1: 1

Shenzhen Sunshine Sea Technology Co.,Ltd